

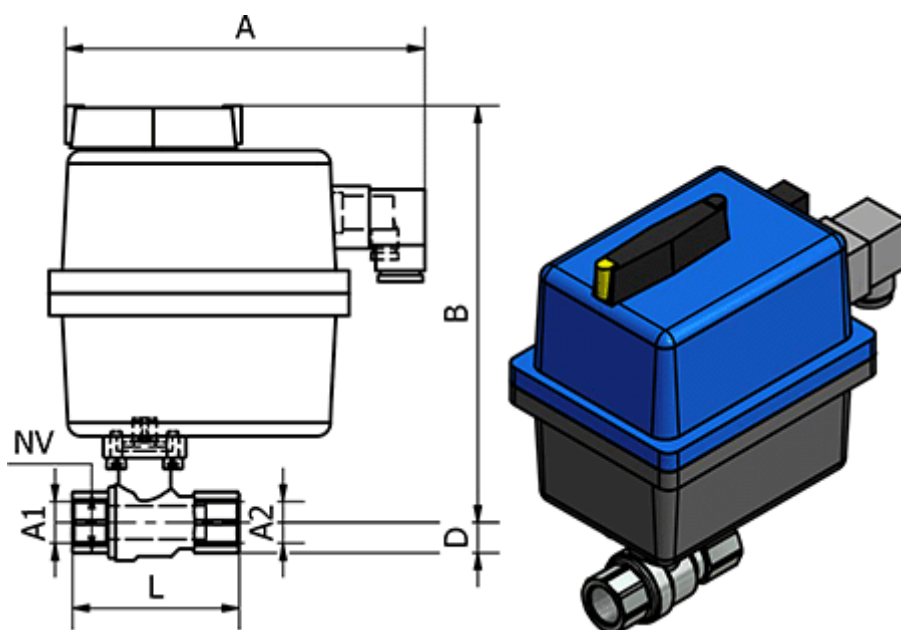
# Data Sheet



Article number: 5863501814

Description: Ball Valve 350.1814, G 1 1/2" - G 1 1/2"  
Thread/Thread

## Measures



= -	D	= 36
= -	L	= 120
= -	Max. Operating Pressure	= 25 bar
= -	NV	= 55

A = 177

B = 223

Connecting A1 = G 1 1/2"

Connecting A2 = G 1 1/2"